

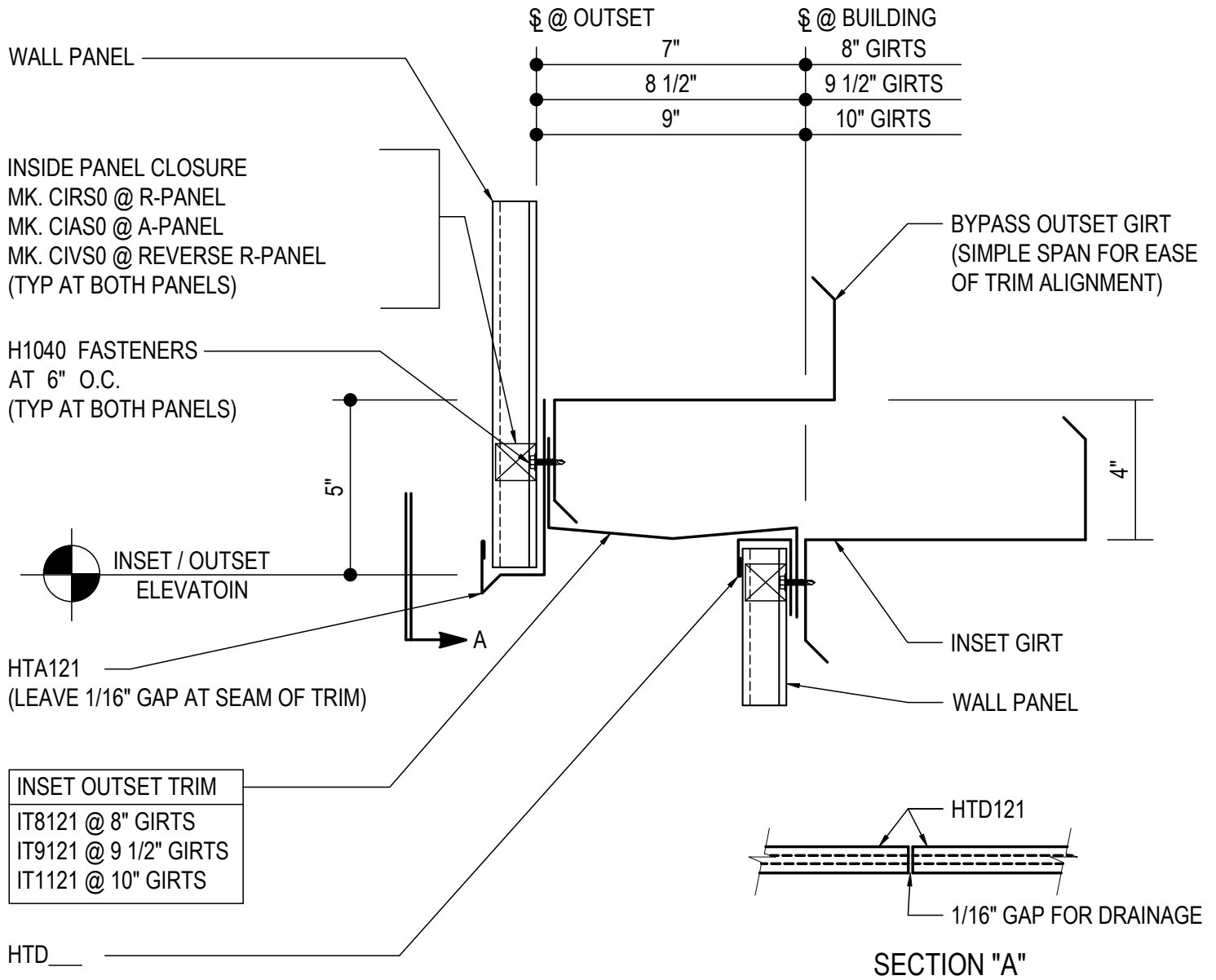
INSET / OUTSET

GF0010 - INSET-OUTSET SHEETING DETAIL

GF0020 - INSET-OUTSET COVER FLASH DETAIL

GF0010 - INSET-OUTSET SHEETING DETAIL

[Download the DWG file by clicking here.](#)



INSET / OUTSET SHEETING DETAIL

SEE WALL SHEETING ERECTION DETAIL FOR
WALL PANEL FASTENER LOCATIONS

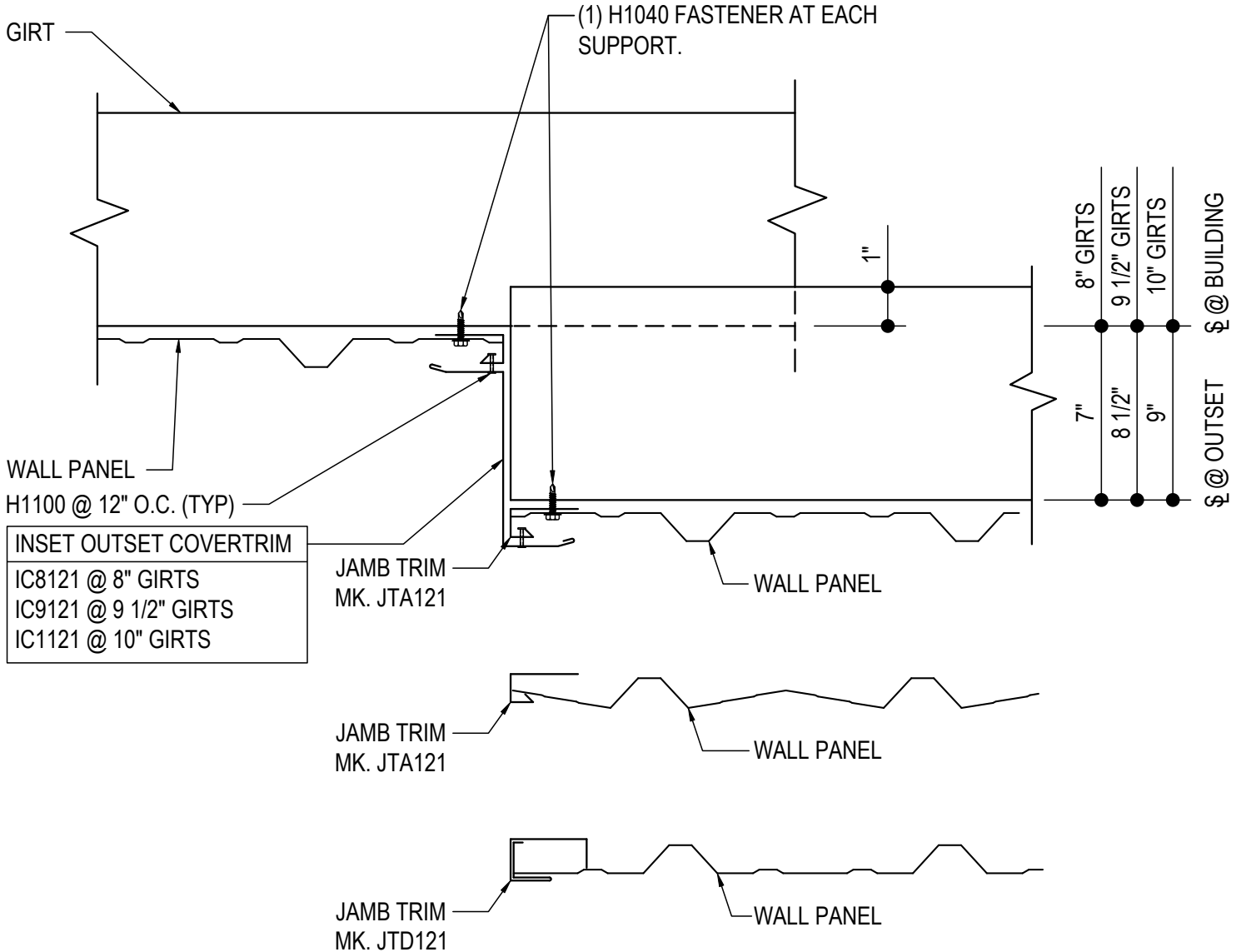
GF0010

Detailer Notes:

- 1) IF CLOSURES ARE ORDERED AT WALL PANEL BASE CONDITION, YOU MUST TURN ON THE BRANDED CLOSURE LAYER.

GF0020 - INSET-OUTSET COVER FLASH DETAIL

[Download the DWG file by clicking here.](#)



INSET / OUTSET COVER FLASH DETAIL

ALL PANEL PROFILES SHOWN.

J-TRIM MARK NUMBERS VARY BY PANEL PROFILE AS SHOWN.

GF0020

Detailer Notes:

1) N/A